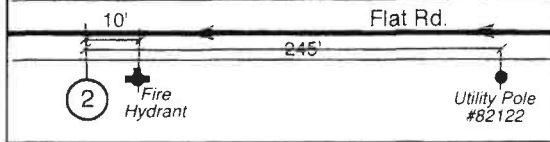




MILE 2: On Flat Rd., approx. 740' SW of the NE corner of the Cemetery Wall, and more accurately 245' SW of Utility Pole #82122, and 10' SW of a Fire Hydrant. Marked by '2' in a circle, 'JBR' above, '5K' below, 12" out from the SE edge of the road, all in white paint.



USATF Certification
PA14064WB
Effective 11/13/2014 to 12/31/2024

JINGLE BELL RUN 5K

Malvern, PA

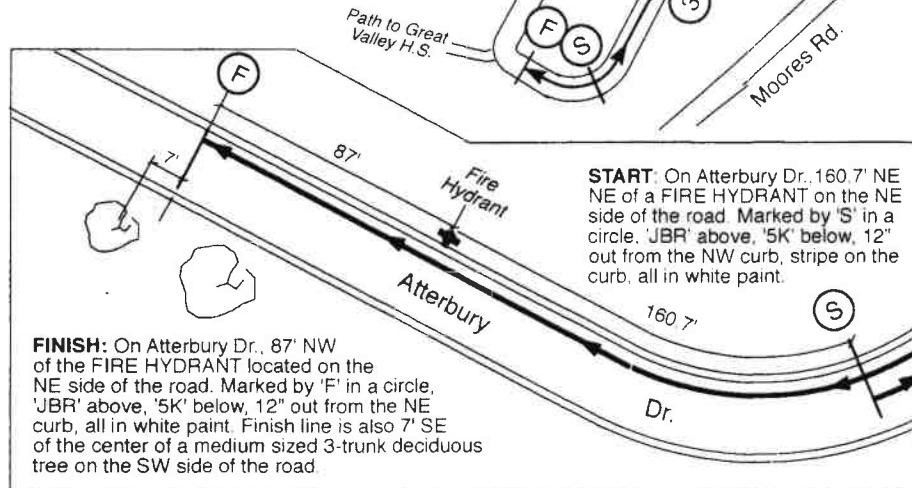
NOTES & PARAMETERS:

Course has been measured in accordance with USATF/RRTC requirements, using the Shortest Possible Route (SPR) Method, to within 12" of all curbs and defined road edges.

Runners have use of full width of roads, edge to edge.

Elevations shown are relative, are as observed using Google Earth imaging, and are expressed in meters in accordance with current USATF protocol.

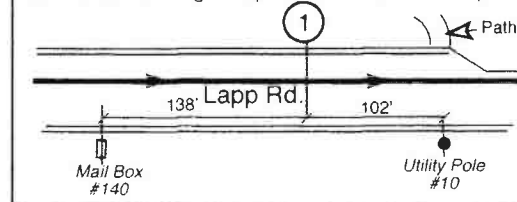
MILE 3: On Atterbury Dr., 136' NE of a Drain Inlet Grating located on the NW side of Atterbury Drive. Marked by '3' in a circle, 'JBR' above, '5K' below, about 5' out from the NW curb, stripe on the curb, all in white paint



START: On Atterbury Dr., 160.7' NE NE of a FIRE HYDRANT on the NE side of the road. Marked by 'S' in a circle, 'JBR' above, '5K' below, 12" out from the NW curb, stripe on the curb, all in white paint.

FINISH: On Atterbury Dr., 87' NW of the FIRE HYDRANT located on the NE side of the road. Marked by 'F' in a circle, 'JBR' above, '5K' below, 12" out from the NE curb, all in white paint. Finish line is also 7' SE of the center of a medium sized 3-trunk deciduous tree on the SW side of the road.

MILE 1: On Lapp Rd., approx. 557' NE of the SW curb of Oak Glen Rd., more accurately 138' NE of Mailbox of #140 Lapp Rd. and 102' SW of Utility Pole #10 (on the SE side of the road. Marked by '1' in a circle, 'JBR' above, '5K' below, 5' out from the NW curb of the road, with similar marking on top of the curb, all in white paint.



ELEVATIONS: (in meters)	
Start:	106.4
Finish:	106.1
Highest:	113.4
Lowest:	96.6

Measured by
Bill Belleville
Ardmore, PA
11/11/14
CS-14102

Arthritis Foundation

Jingle Bell Run

